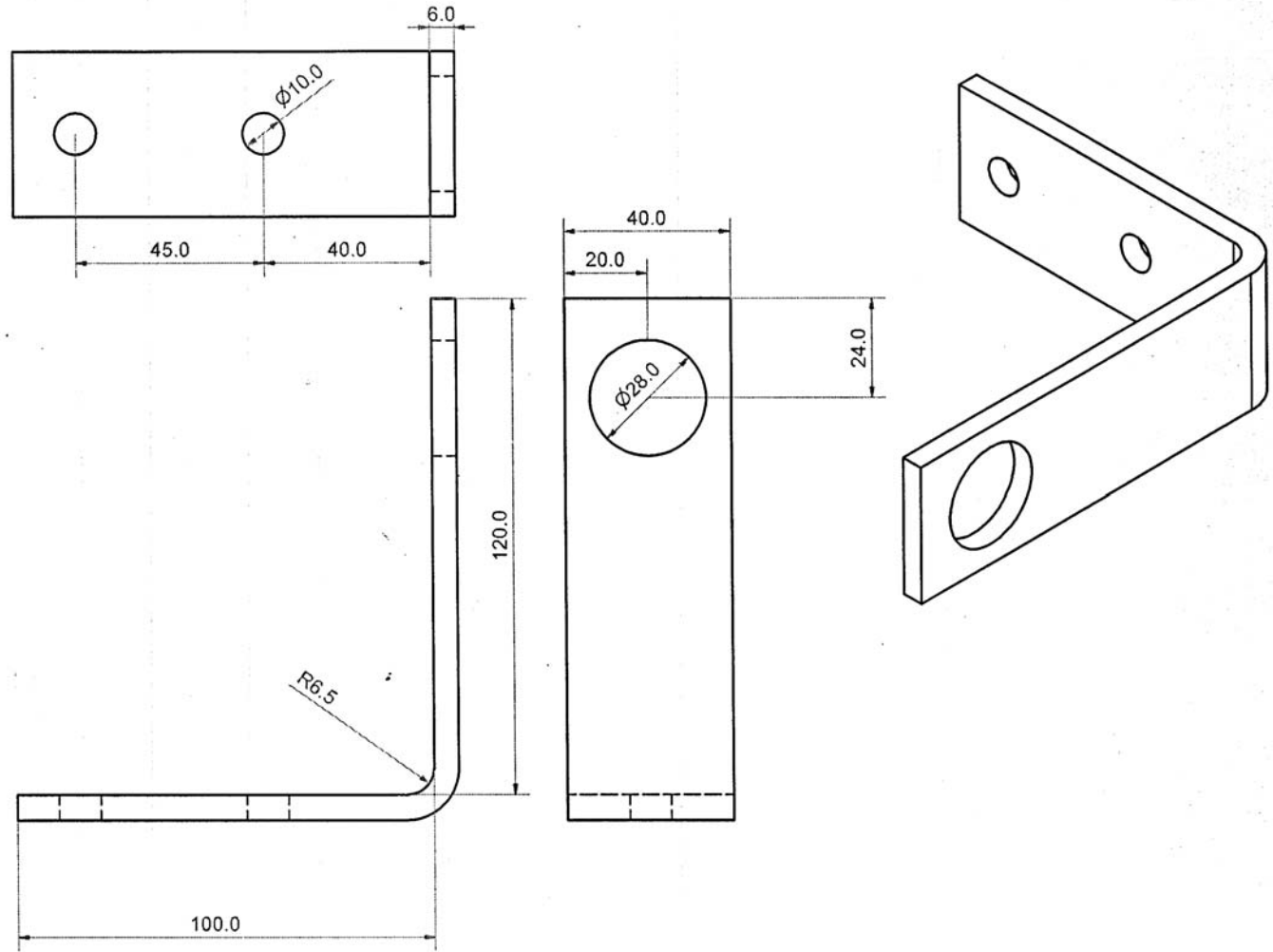


Insight Security

Unit 2,
Cliffe Industrial Estate
Lewes
East Sussex
BN8 6JL

www.insight-security.com



Roller Barrier - Fascia Bracket (standard & extended)

prod ref: **PS RBRKTFS & PS RBRKTFE**

material: 6mm mild steel

finish: deburred & galvanised (overpaint option)

dimensions: shown in mm

drawing: not to scale

Note:

On the “**Standard Fascia Bracket**”, the outstand leg (shaft support leg) is **120mm in length**.

On the “**Extended Fascia Bracket**”, the outstand leg (shaft support leg) is **275mm in length**.

...all other dimensions are common to both brackets