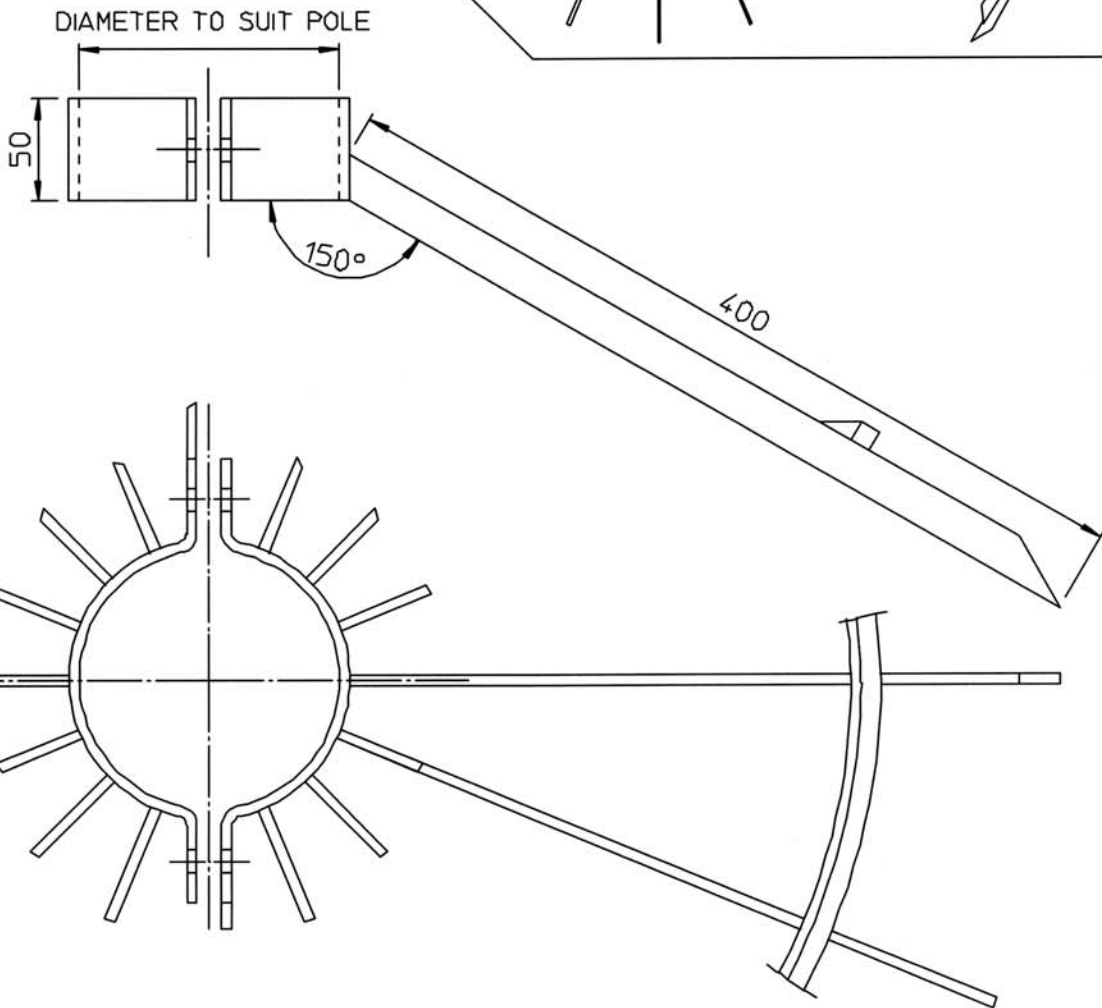
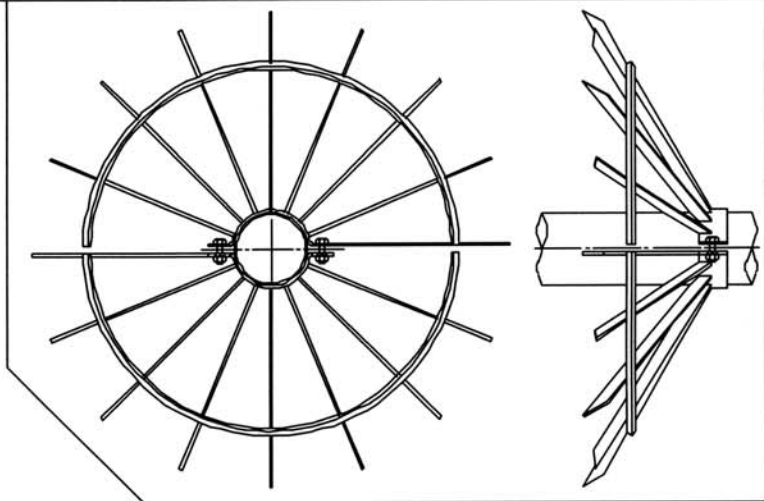


Fabricated Welded Spiked Anti-Climb Collar

(ideal for CCTV camera poles, street lighting poles, etc.)

Product Ref: **PS SPCOLR/**_____ (note: spike length 400mm all models)

ANTI CLIMB GUARD FOR
CIRCULAR POLES, COLUMNS
AND BRACKETS



1ST ANGLE PROJ 	UNITS - mm	CUSTOMER	JOB / ORDER NUMBER	
DIMENSION TOL'CE	ANGLE TOL'CE	MATERIAL MILD STEEL	TREATMENT OR FINISH GALVANISE TO BS 729 1971	
GENERAL SURFACE FINISH 	SCALE 1:3.33	ASSEMBLY No.	No OFF PER ASSY	PART No



Insight Security, Unit 2, Cliffe Industrial Estate, Lewes, East Sussex, BN8 6JL

tel: 01273 475500 fax: 01273 478800, www.insight-security.com

