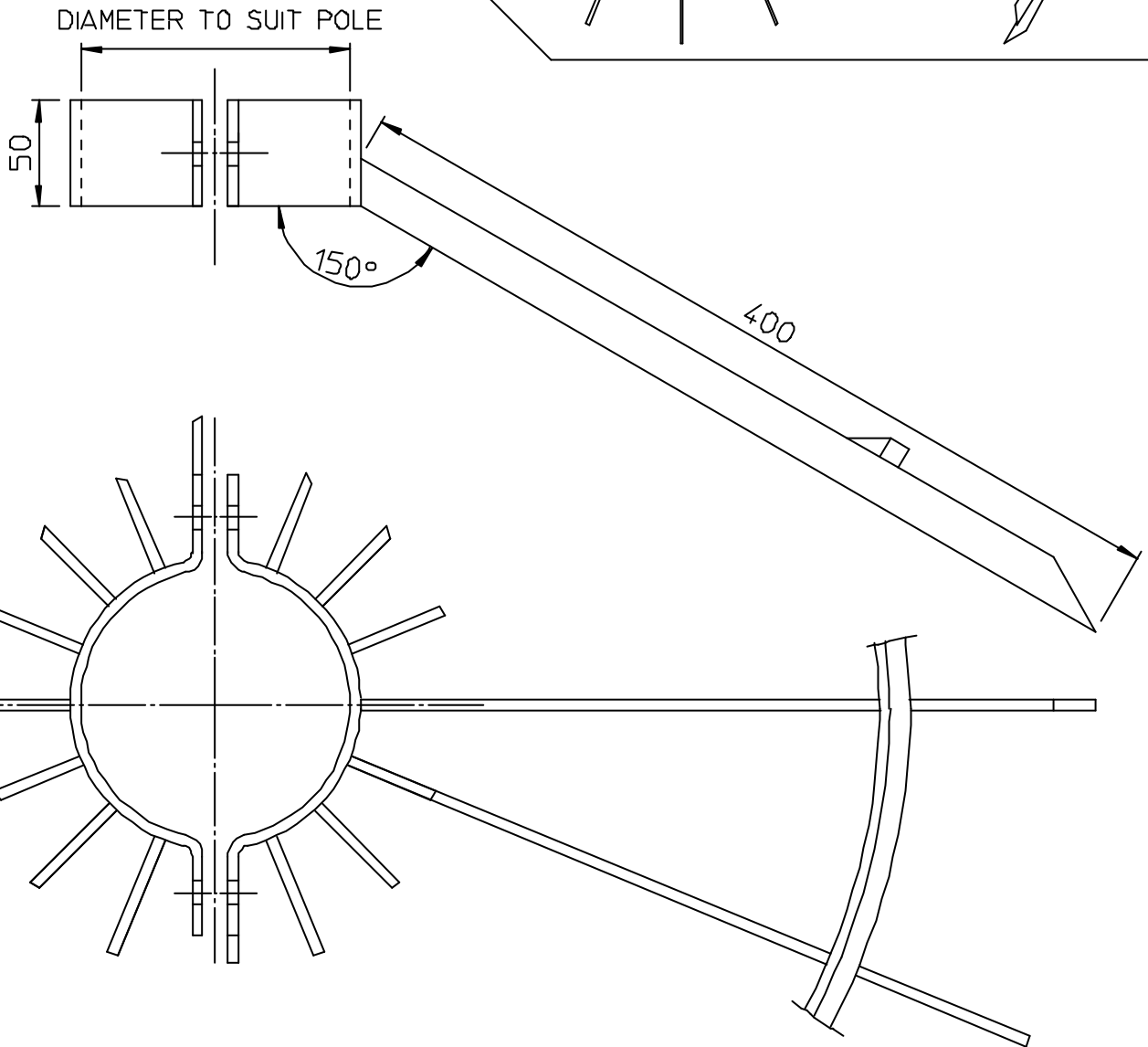
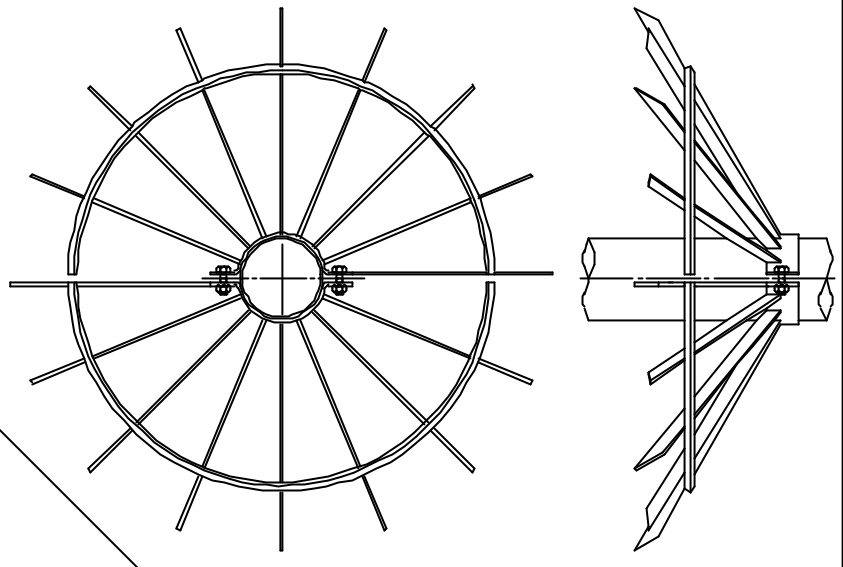


ANTI CLIMB GUARD FOR
CIRCULAR POLES, COLUMNS
AND BRACKETS



1ST ANGLE PROJ 	UNITS - mm	CUSTOMER	JOB / ORDER NUMBER	
--------------------	------------	----------	--------------------	--

DIMENSION TOL'CE	ANGLE TOL'CE	MATERIAL MILD STEEL	TREATMENT OR FINISH GALVANISE TO BS 729 1971	
------------------	--------------	------------------------	---	--

GENERAL SURFACE FINISH 	SCALE 1:3.33	ASSEMBLY No.	No OFF PER ASSY	PART No
----------------------------	-----------------	--------------	-----------------	---------

DESCRIPTION CIRCULAR ANTI CLIMB GUARD		DRAWING No		A4
--	--	------------	--	-----------

DRAWN <i>S. Hartley</i>	CHECKED	DATE 2-Nov-98	SUPERSEDES	
-------------------------	---------	---------------	------------	--