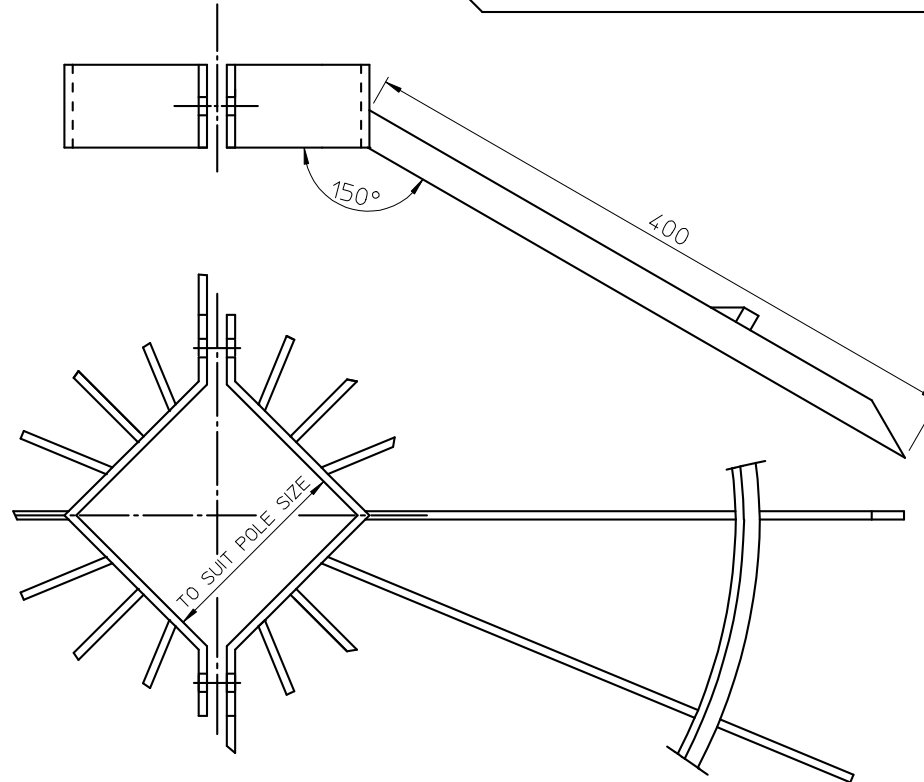
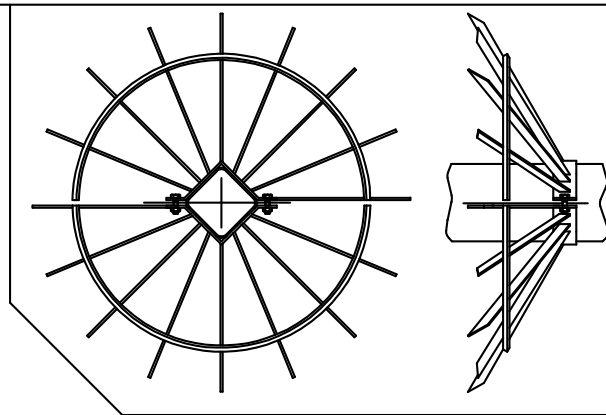


ANTI CLIMB GUARD FOR
SQUARE POLES, COLUMNS
AND BRACKETS
ACB3/..... (SECTION SIZE)



1ST ANGLE PROJ 	UNITS:- mm	CUSTOMER	JOB / ORDER NUMBER	
DIMENSION TOL'CE	ANGLE TOL'CE	MATERIAL MILD STEEL	TREATMENT OR FINISH GALVANISE TO BS 729 : 1971	
GENERAL SURFACE FINISH 	SCALE 1:3.33	ASSEMBLY No.	No. OFF PER ASSY.	PART No.
DESCRIPTION SQUARE ANTI CLIMB GUARD ACB3/			DRAWING No.	
DRAWN	CHECKED	DATE 29-Aug-20	SUPERSEDES	

A4