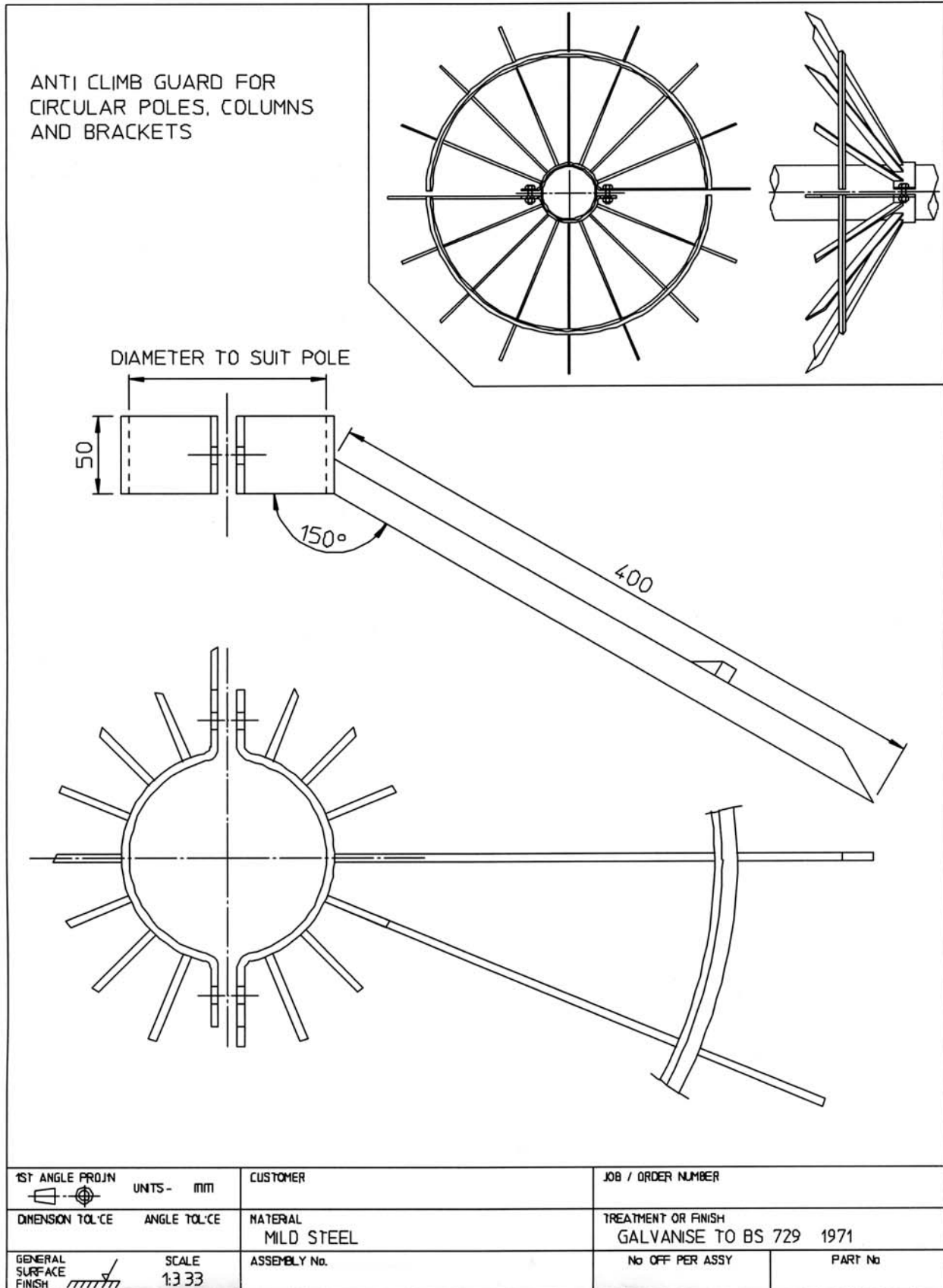


# Fabricated Welded Spiked Anti-Climb Collar

( ideal for CCTV camera poles, street lighting poles, etc.)

Product Ref: **PS SPCOLR/**\_\_\_\_\_ (note: spike length 400mm all models)



Insight Security, Unit 2, Cliffe Industrial Estate, Lewes, East Sussex, BN8 6JL

tel: 01273 475500 fax: 01273 478800, www.insight-security.com

